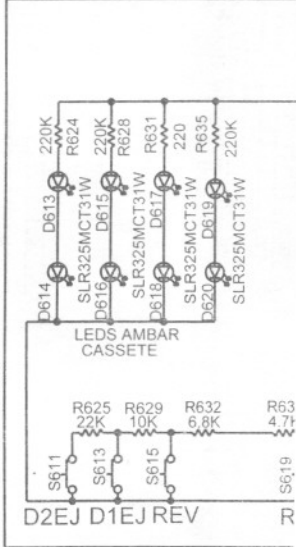
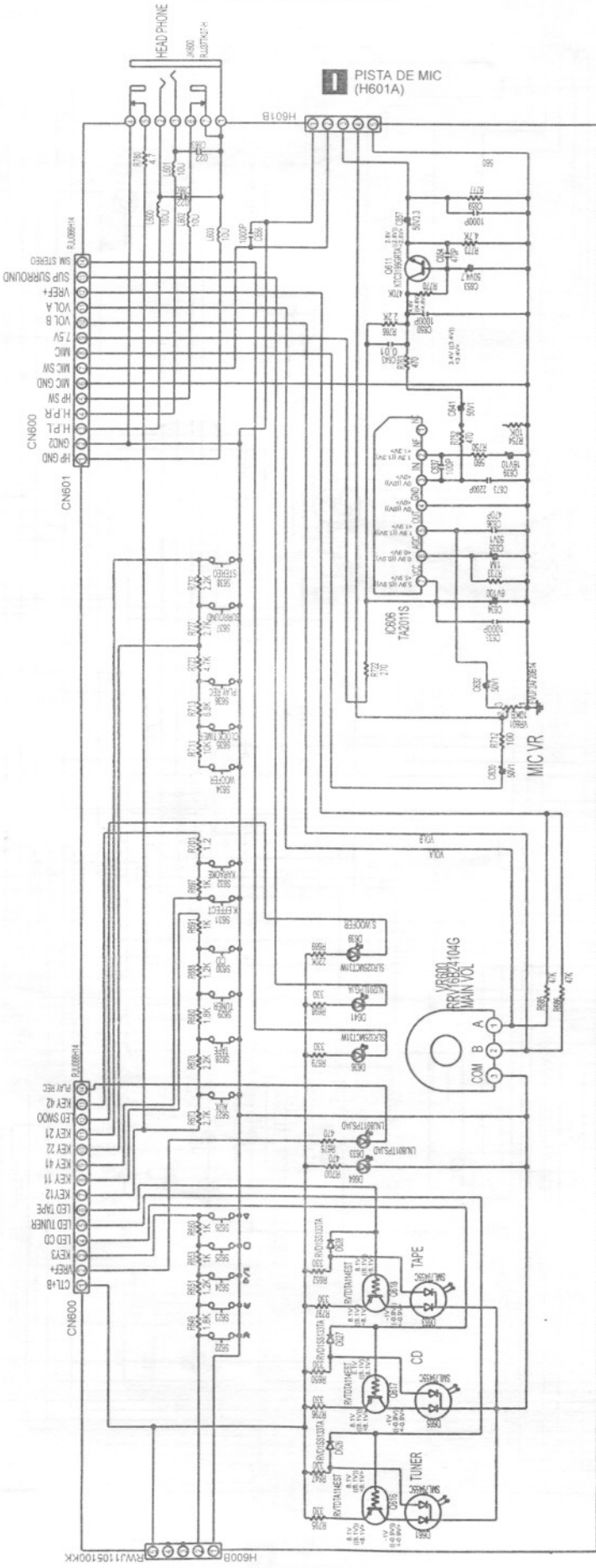


G PISTA DE TACT SWITC (RAIM009953A)

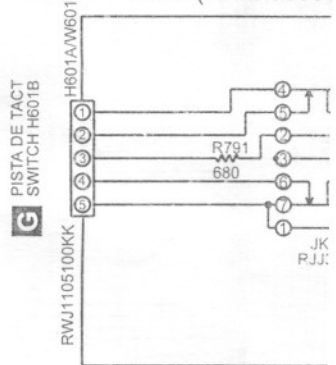
H A PISTA DE TACT SW DE CINTA (RAIM009953A)

E A PISTA DE PANEL CP601 PAG.44

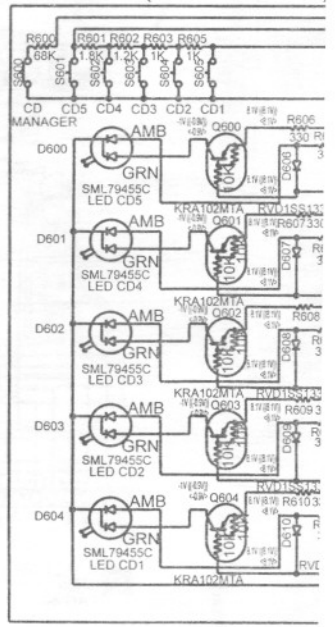
E A PISTA DE PANEL CP600 PAG.45



I PISTA DE M (RAIM009953A)

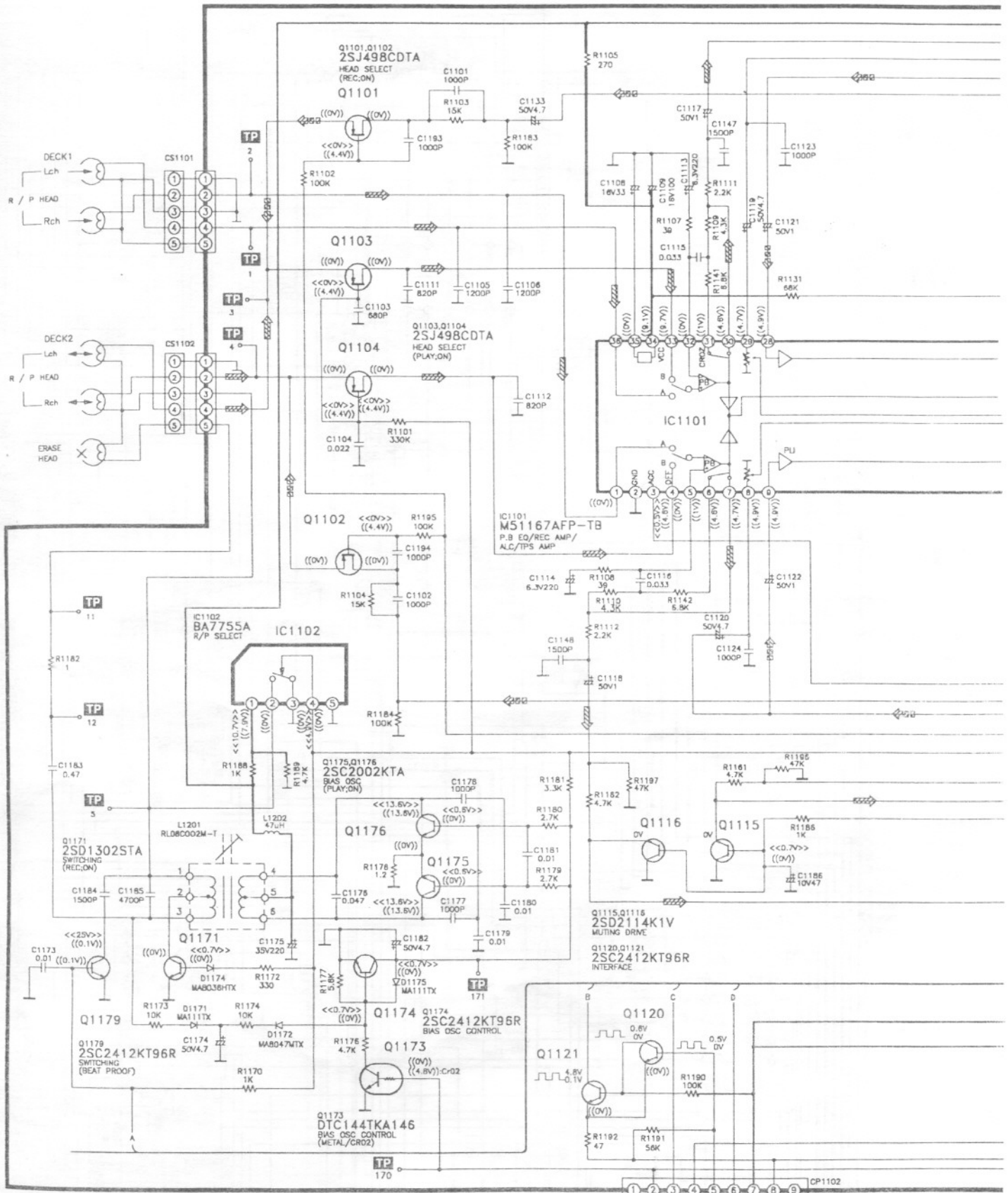


F PISTA DE TACT SW CD (RAIM009953A)



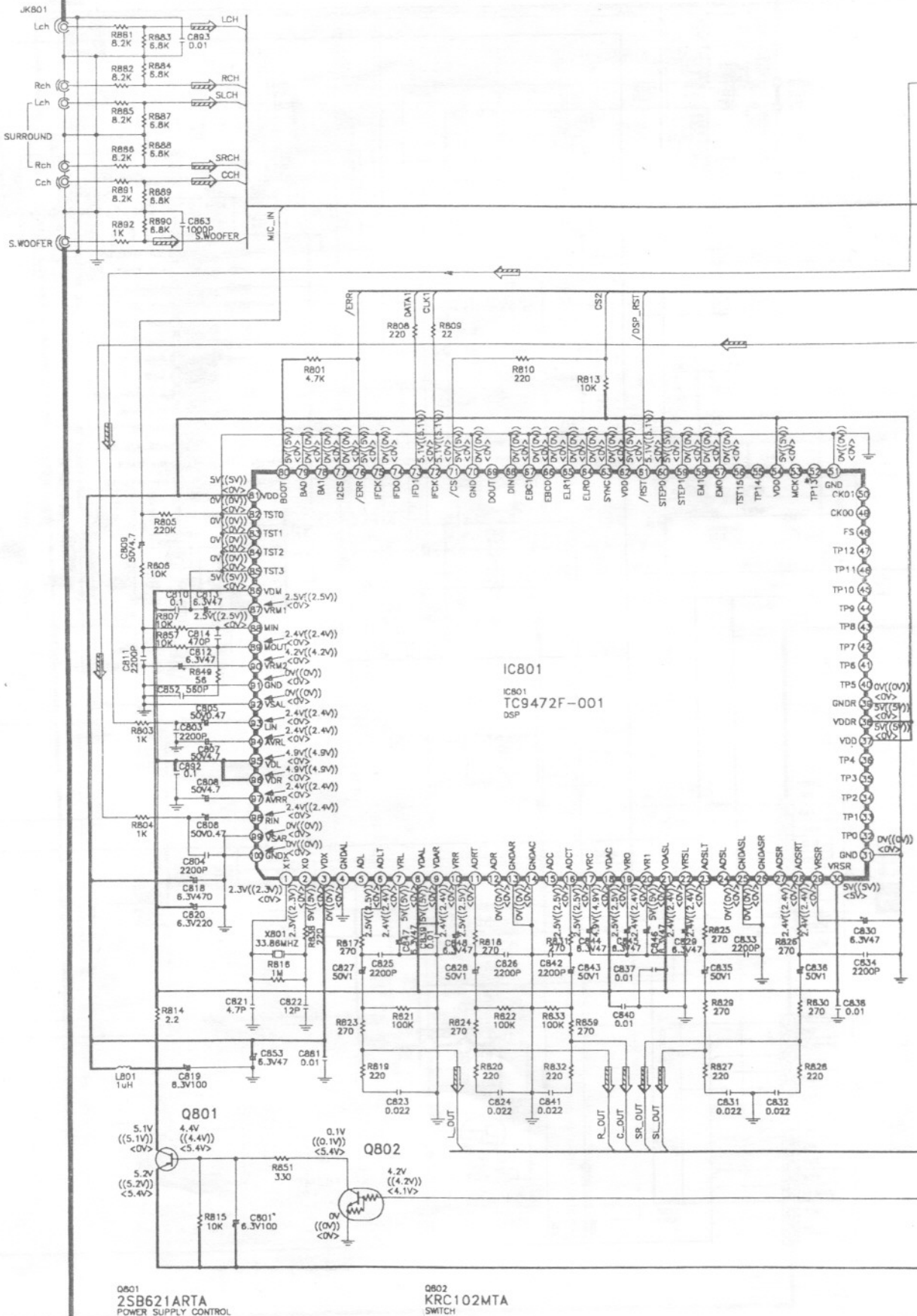
E A PISTA DE TACT SWITCH DE CINTA H600A

J PISTA DE MECANISMO DE CINTA (RAIM009954A)



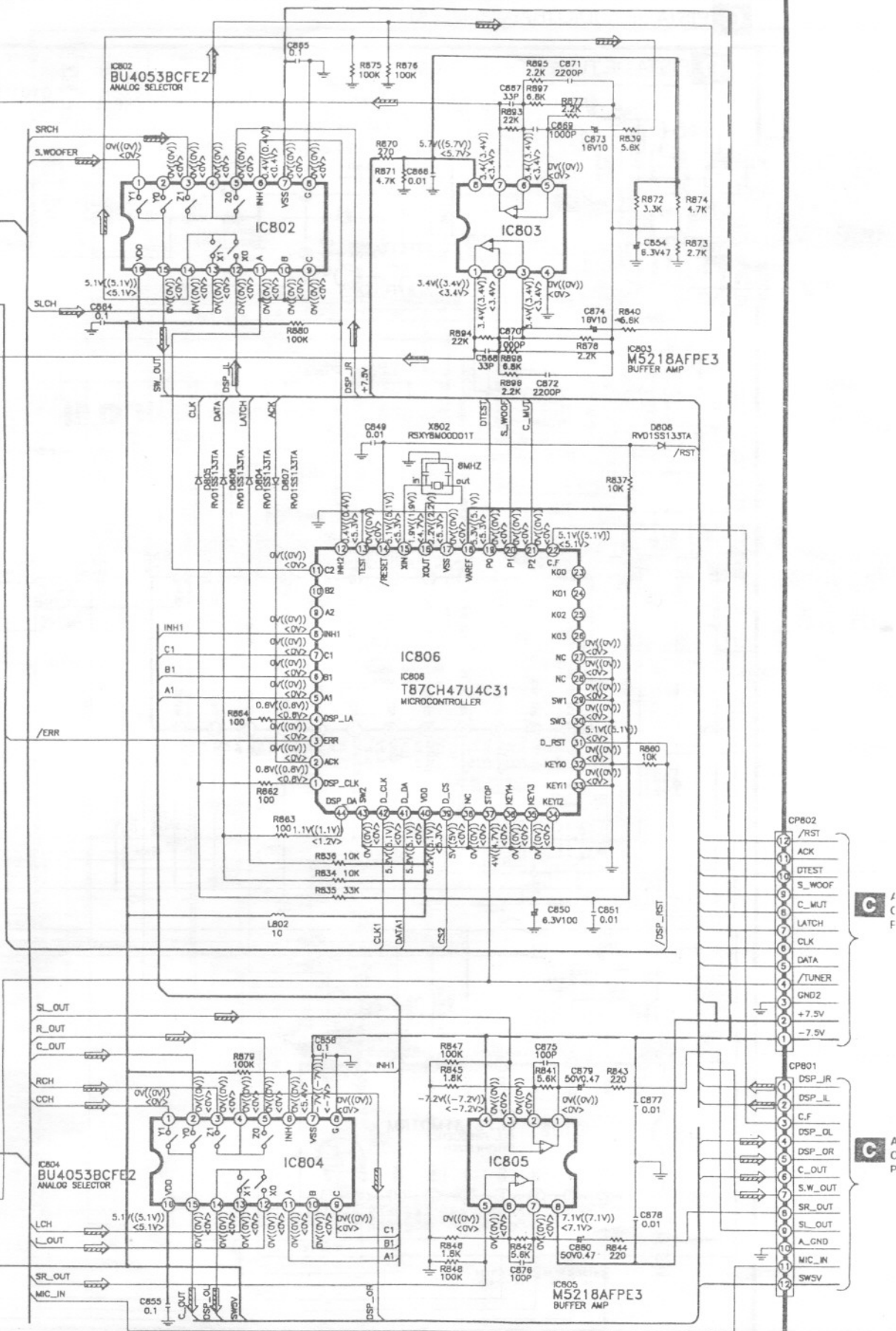
B PISTA DSP (RAIM009957A)

--- b Line --- : Main Signal Line

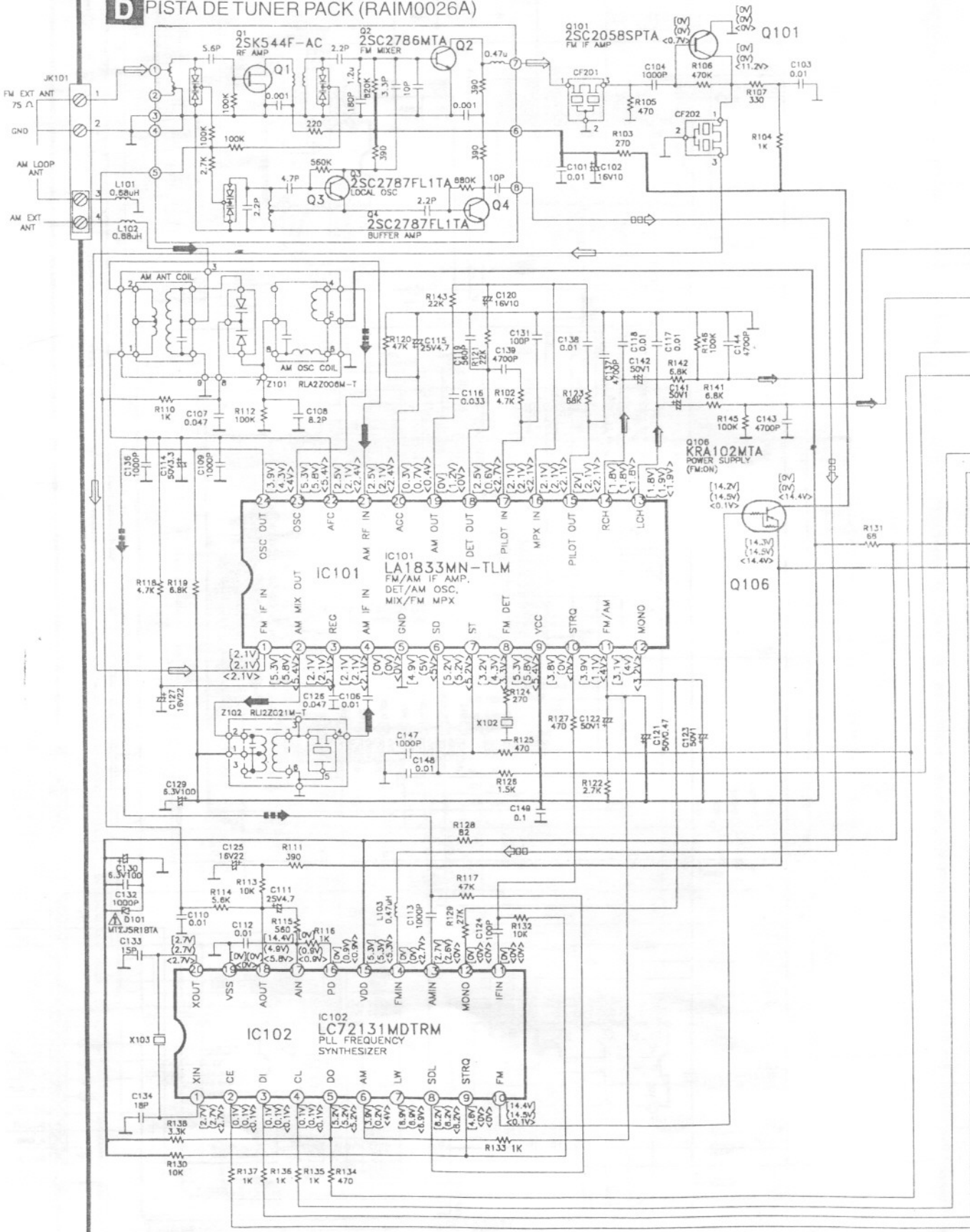


Q801
2SB621ARTA
POWER SUPPLY CONTROL

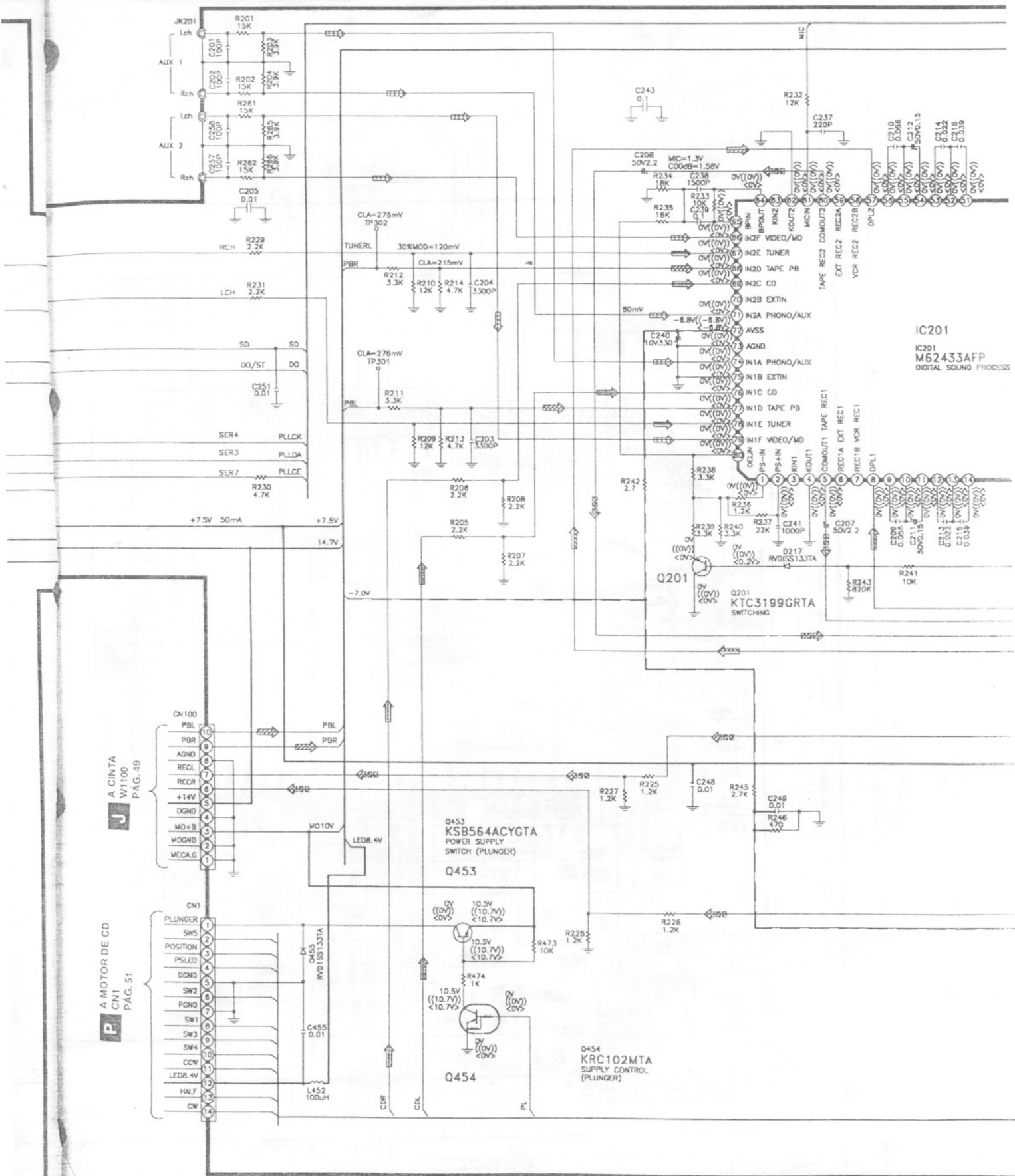
Q802
KRC102MTA
SWITCH



D PISTA DE TUNER PACK (RAIM0026A)



: +B Line
 : +B Line
 : Main Signal Line
 : AUX Signal Line
 : Playback Signal Line
 : CD Signal Line
 : FM/AM Line
 : Record Signal Line



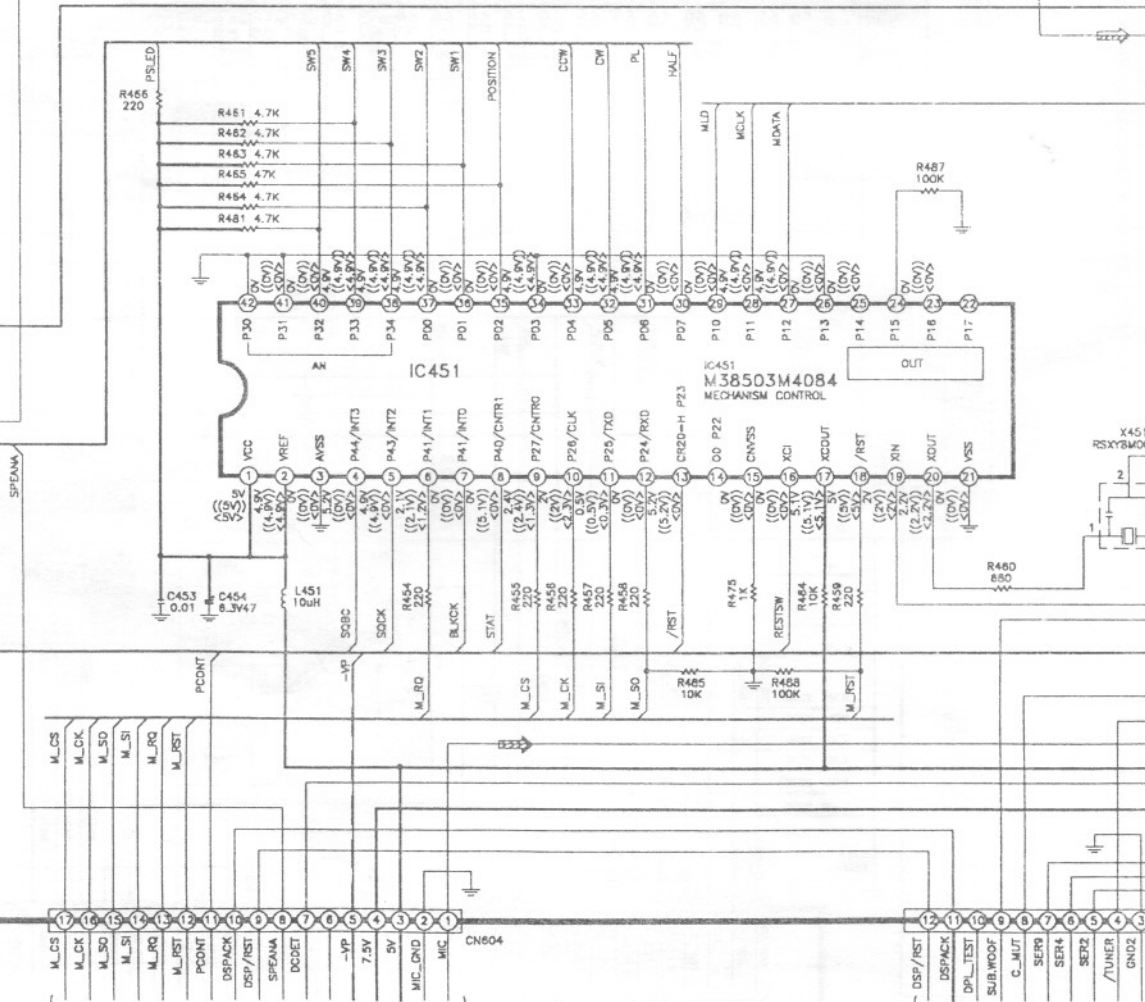
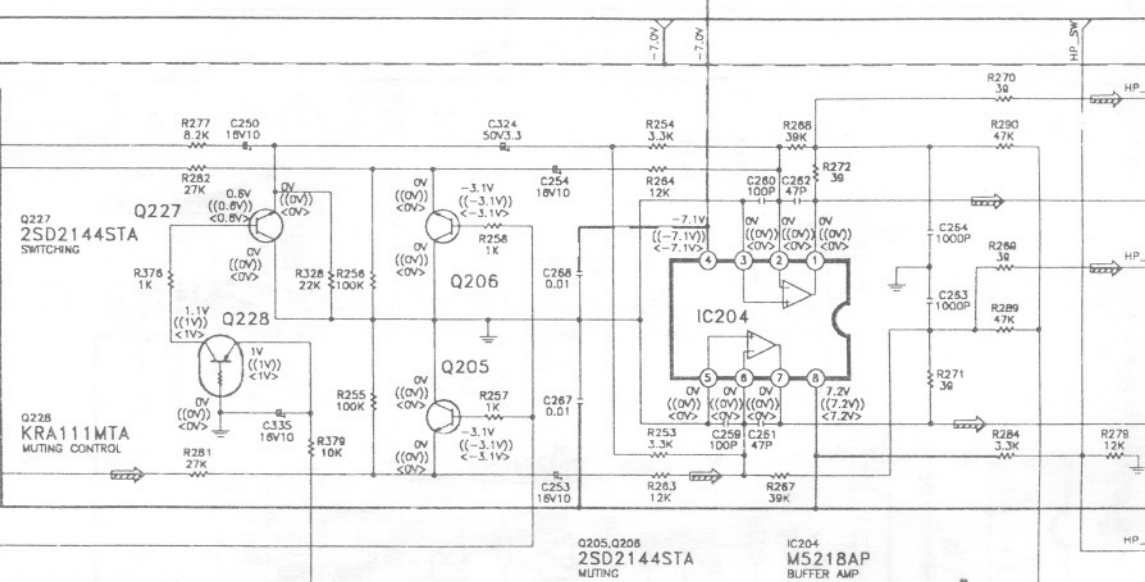
J A CINTA W1100 PAG. 49
 PBL
 PBR
 AGND
 RECL
 RECR
 +14V
 DGND
 MO+B
 MOGND
 MECA.G

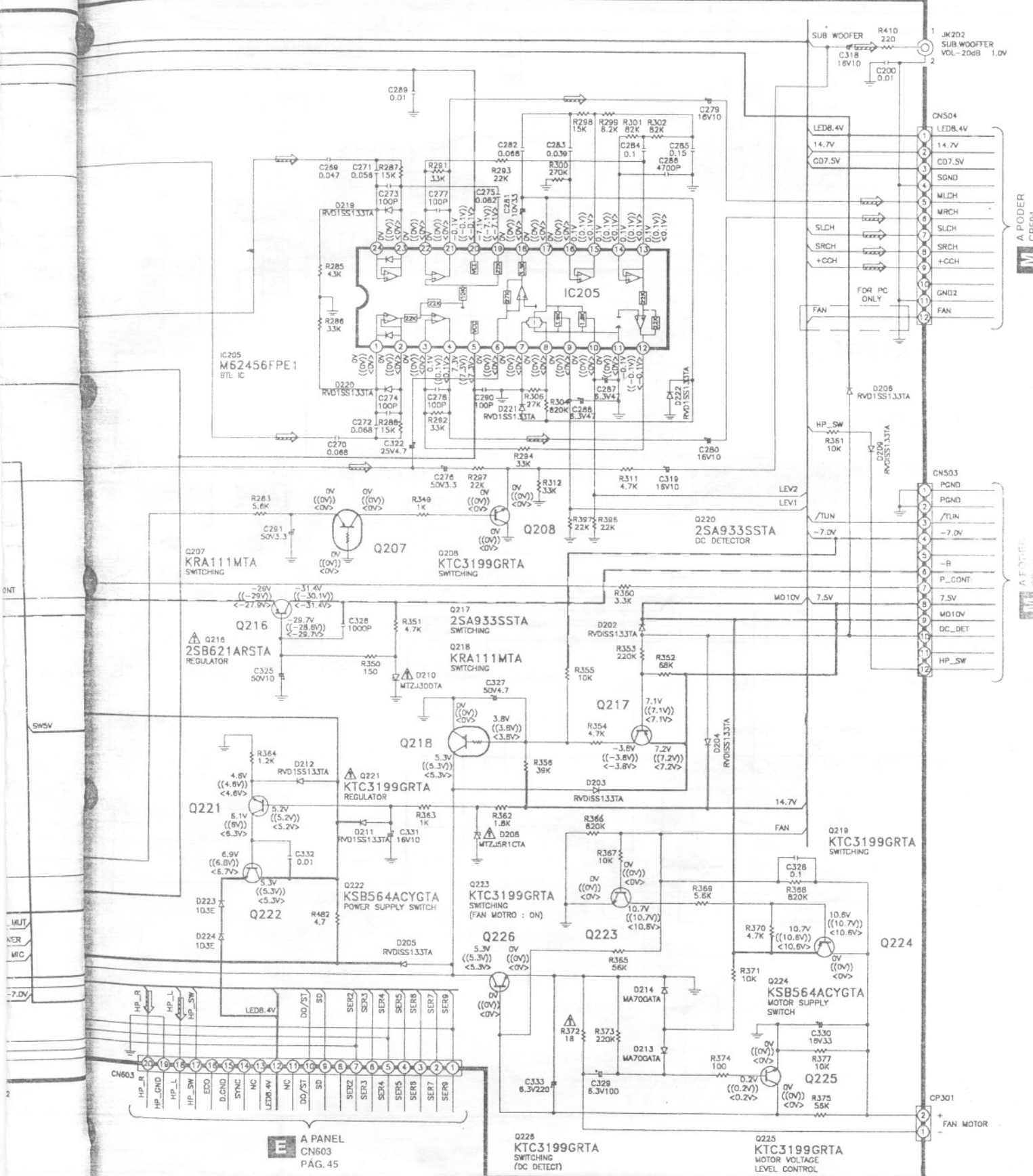
P A MOTOR DE CD CNI PAG. 51
 PLUNGER
 SMS
 POSITION
 PSLED
 DGND
 SW2
 PGND
 SW1
 SW3
 SW4
 CCW
 LEDR.4V
 HALF
 CW

Q453
 KSB564ACYGTA
 POWER SUPPLY
 SWITCH (PLUNGER)
 Q453

Q454
 KRC102MTA
 SUPPLY CONTROL
 (PLUNGER)

IC201
 IC201
 M62433AFP
 DIGITAL SOUND PROCESSOR



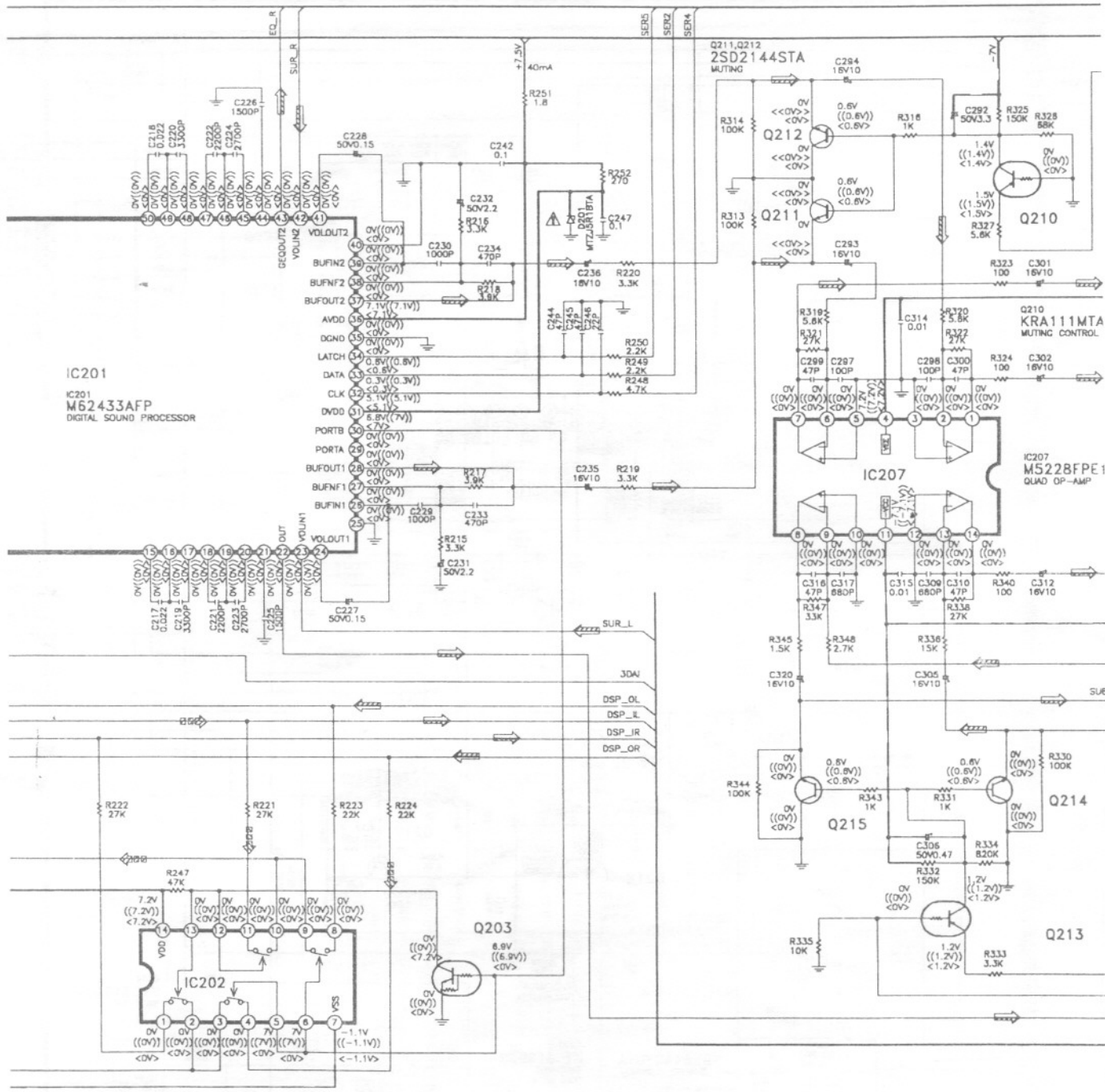


E A PANEL
CN603
PAG. 45

A PORDER
CP504
PAG. 50

A PORDER
CP504
PAG. 50

CP301
+ FAN MOTOR



IC201
M62433AFP
DIGITAL SOUND PROCESSOR

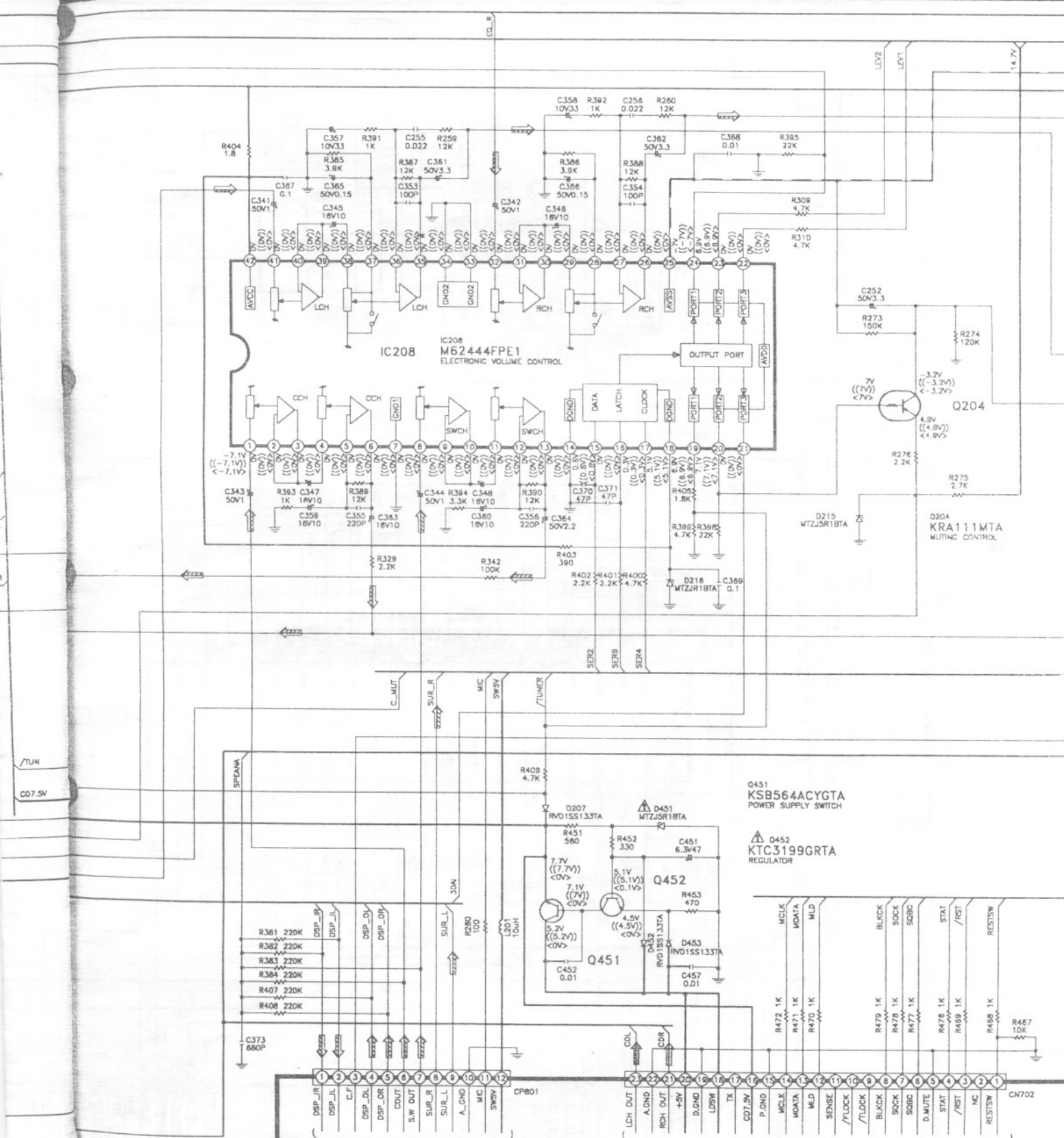
Q213
KRA111MTA
MUTING CONTROL

Q214
2SD2144STA
SWITCHING

Q215
2SD2144STA
SWITCHING

Q203
KRC102MTA
SWITCHING

IC202
BU4066BCF-E2
ANALOG SWITCH
(SELECTOR)



IC208
M62444FPE1
ELECTRONIC VOLUME CONTROL

Q451
KSB564ACYGTA
POWER SUPPLY SWITCH

Q452
KTC3199GRTA
REGULATOR

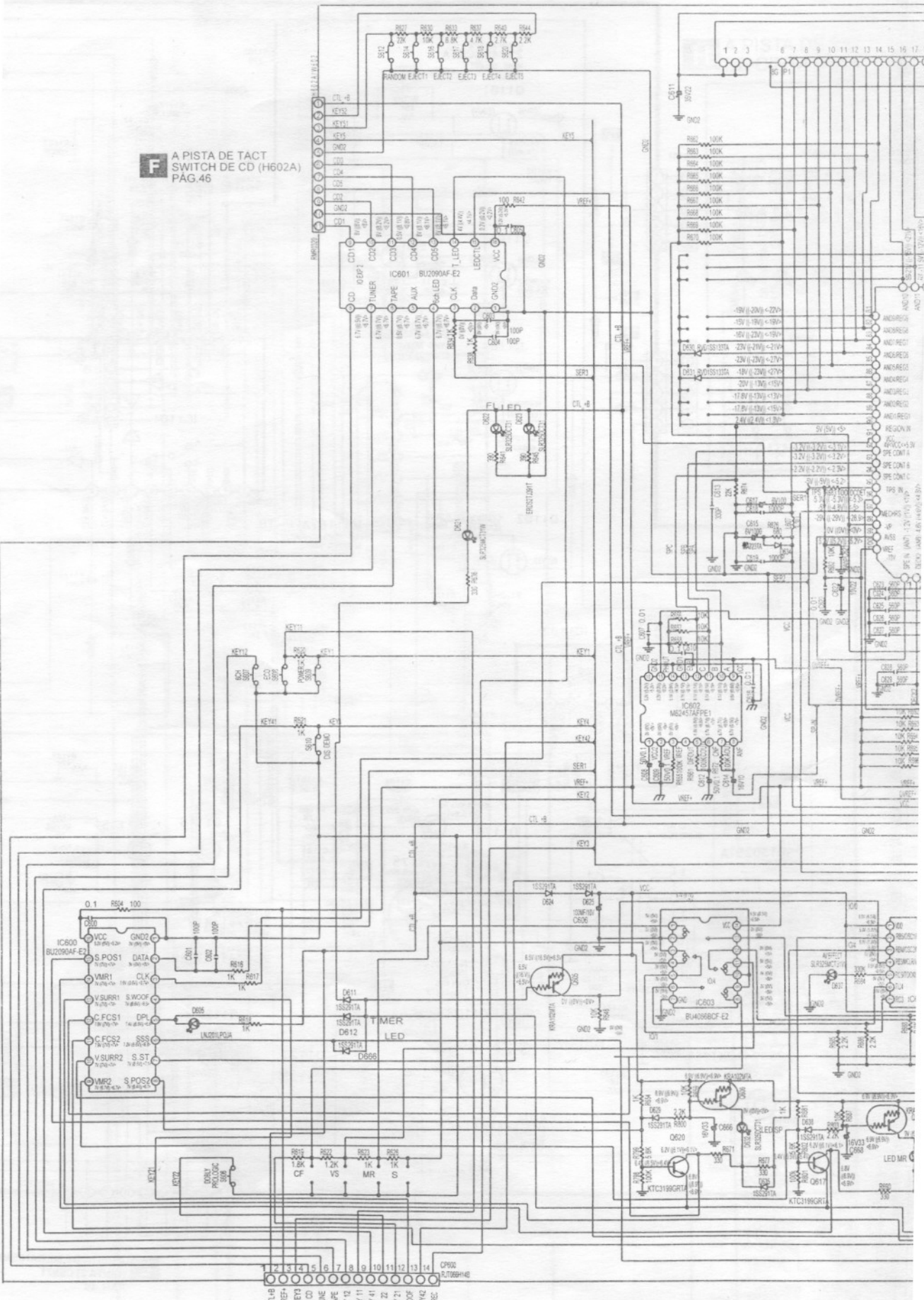
Q204
KRA111MTA
MUTING CONTROL

- R381 220K
- R382 220K
- R383 220K
- R384 220K
- R407 220K
- R408 220K

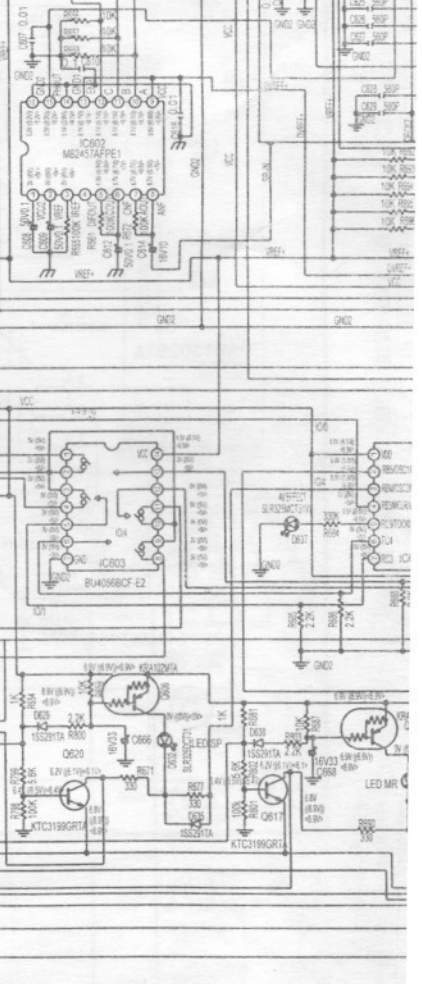
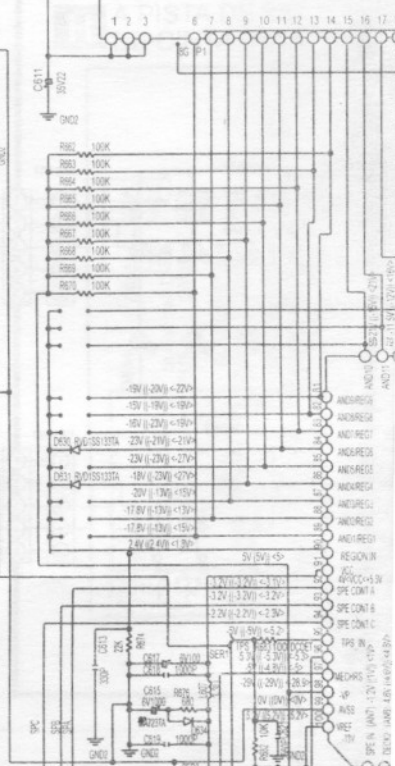
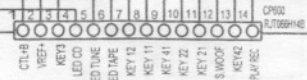
B A DSP
CP801
PÁG. 37

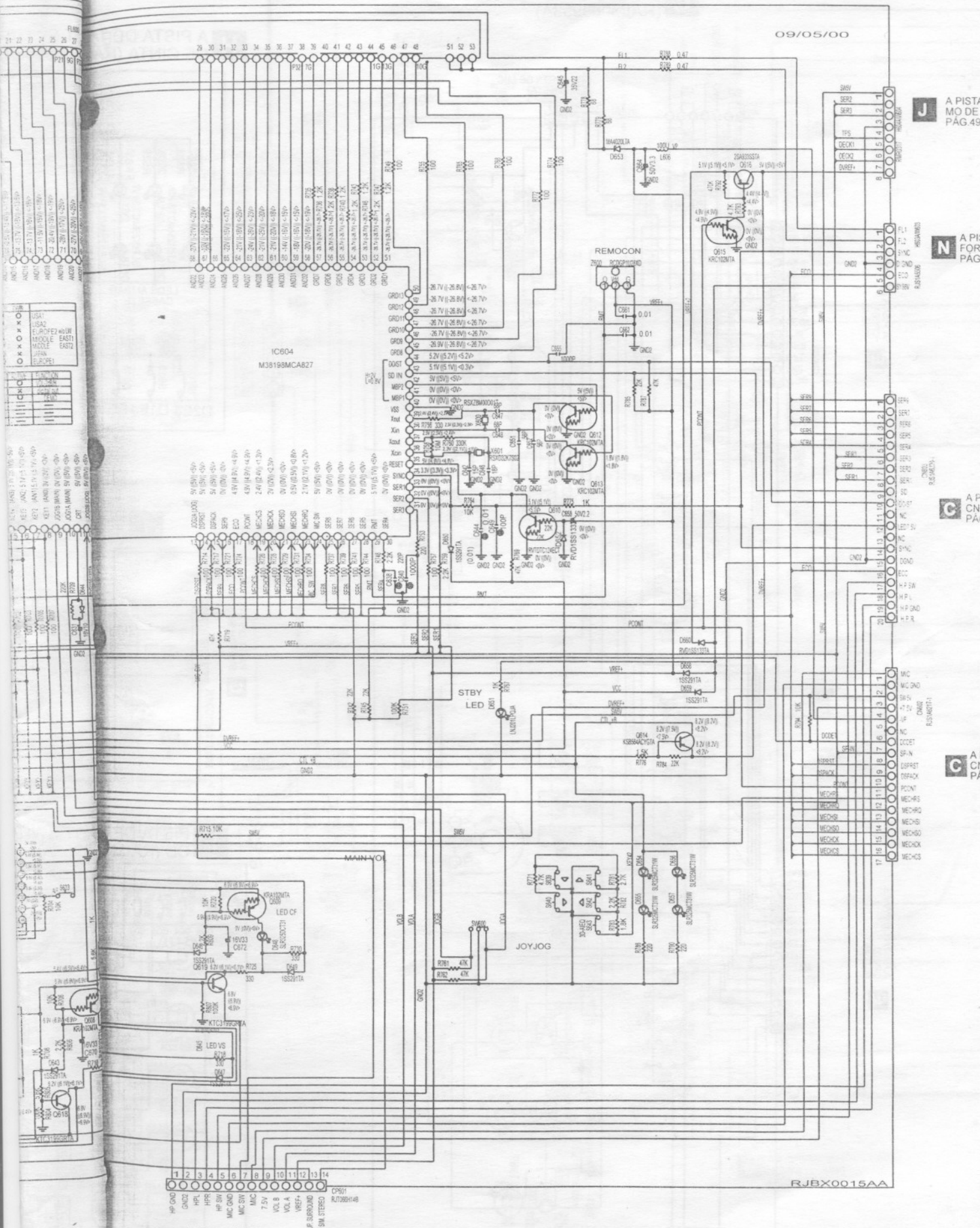
A A SERVO
CN702
PÁG. 35

F A PISTA DE TACT SWITCH DE CD (H602A) PAG.46



G A TACT SWITCH CN600 PAG.46





IC	MARK	DESCRIPTION
IC604	M38198MCA827	IC
U1	KRC102MTA	3.3V REG
U2	KRC102MTA	5V REG
U3	KRC102MTA	1.8V REG
U4	KRC102MTA	1.8V REG
U5	KRC102MTA	1.8V REG
U6	KRC102MTA	1.8V REG
U7	KRC102MTA	1.8V REG
U8	KRC102MTA	1.8V REG
U9	KRC102MTA	1.8V REG
U10	KRC102MTA	1.8V REG
U11	KRC102MTA	1.8V REG
U12	KRC102MTA	1.8V REG

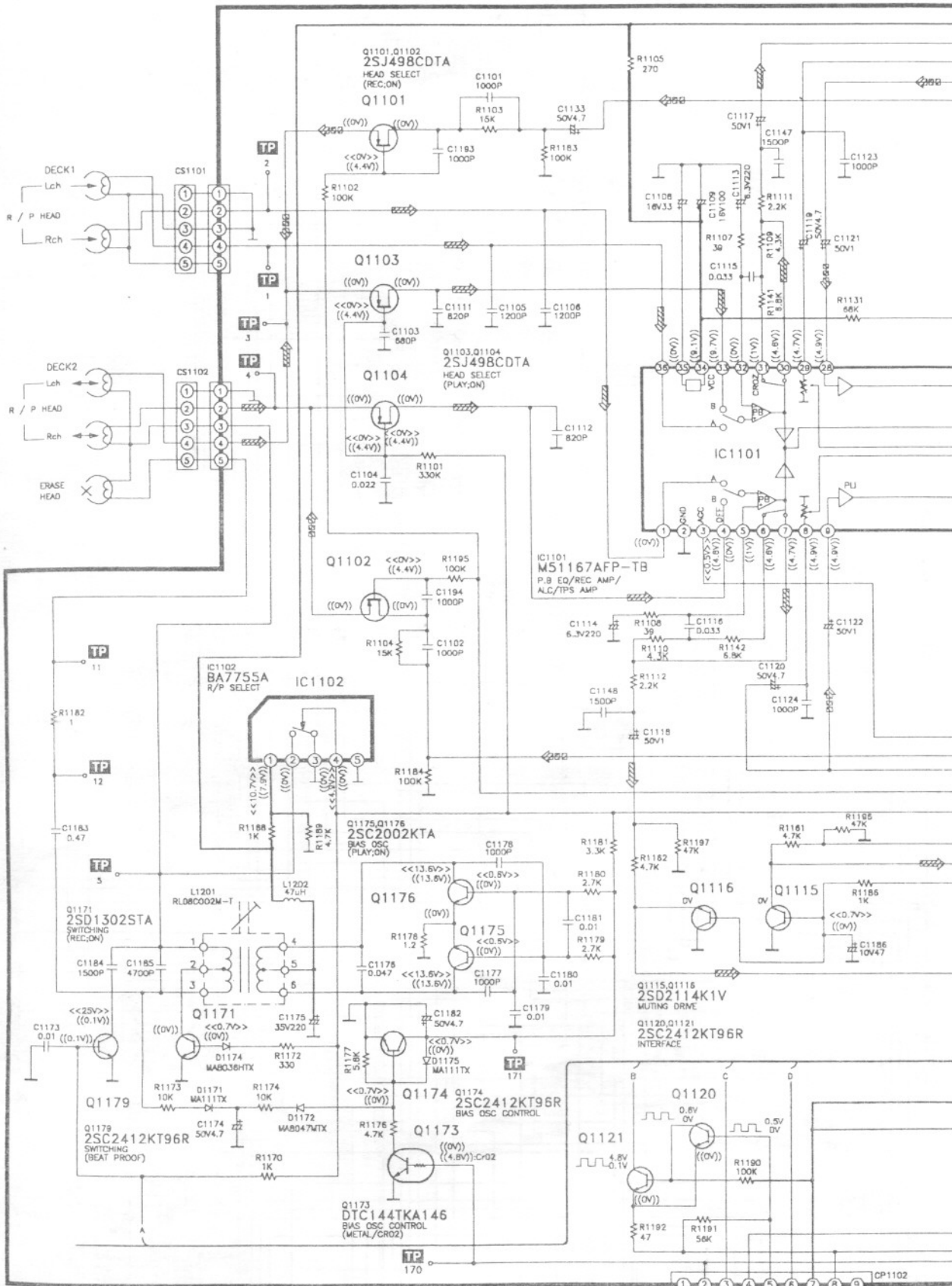
A TACT SWITCH
CN601

A PISTA
MO DE C
PAG 49

A PIS
FORM
PAG 1

A PIS
CN6
PAG

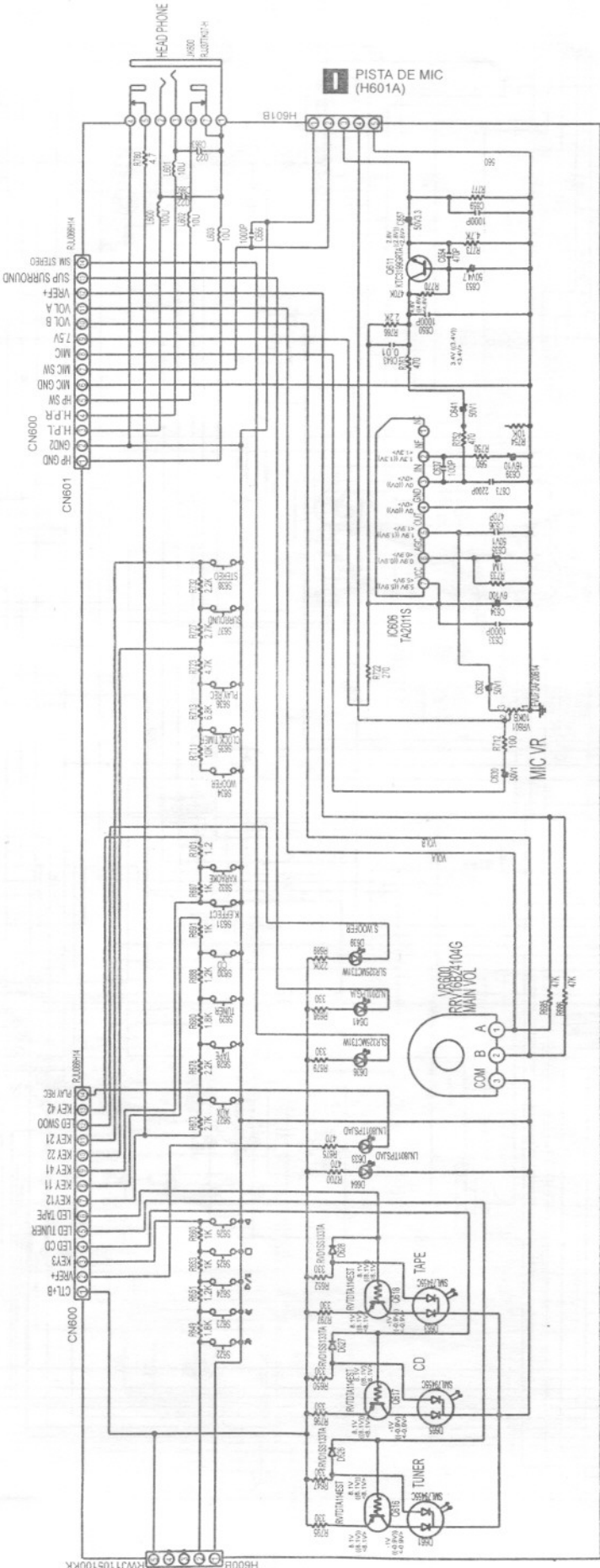
A PIS
CN6
PAG



G PISTA DE TACT SWITCH
(RAIM009953A)

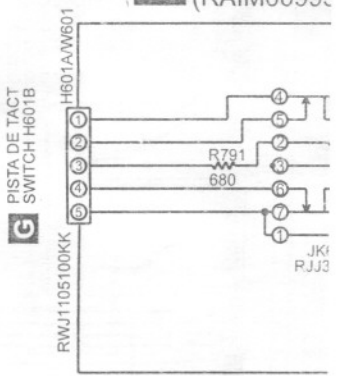
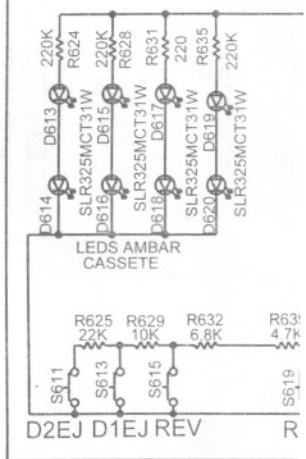
H A PISTA DE TACT SW
DE CINTA (RAIM00995

E A PISTA DE PANEL
CP601
PAG.44

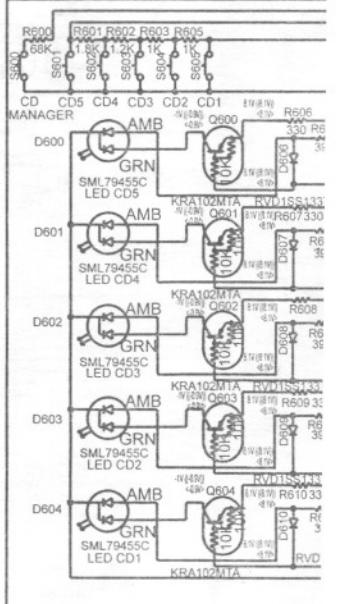


E A PISTA DE PANEL
CP600
PAG.45

I PISTA DE M
(RAIM00995



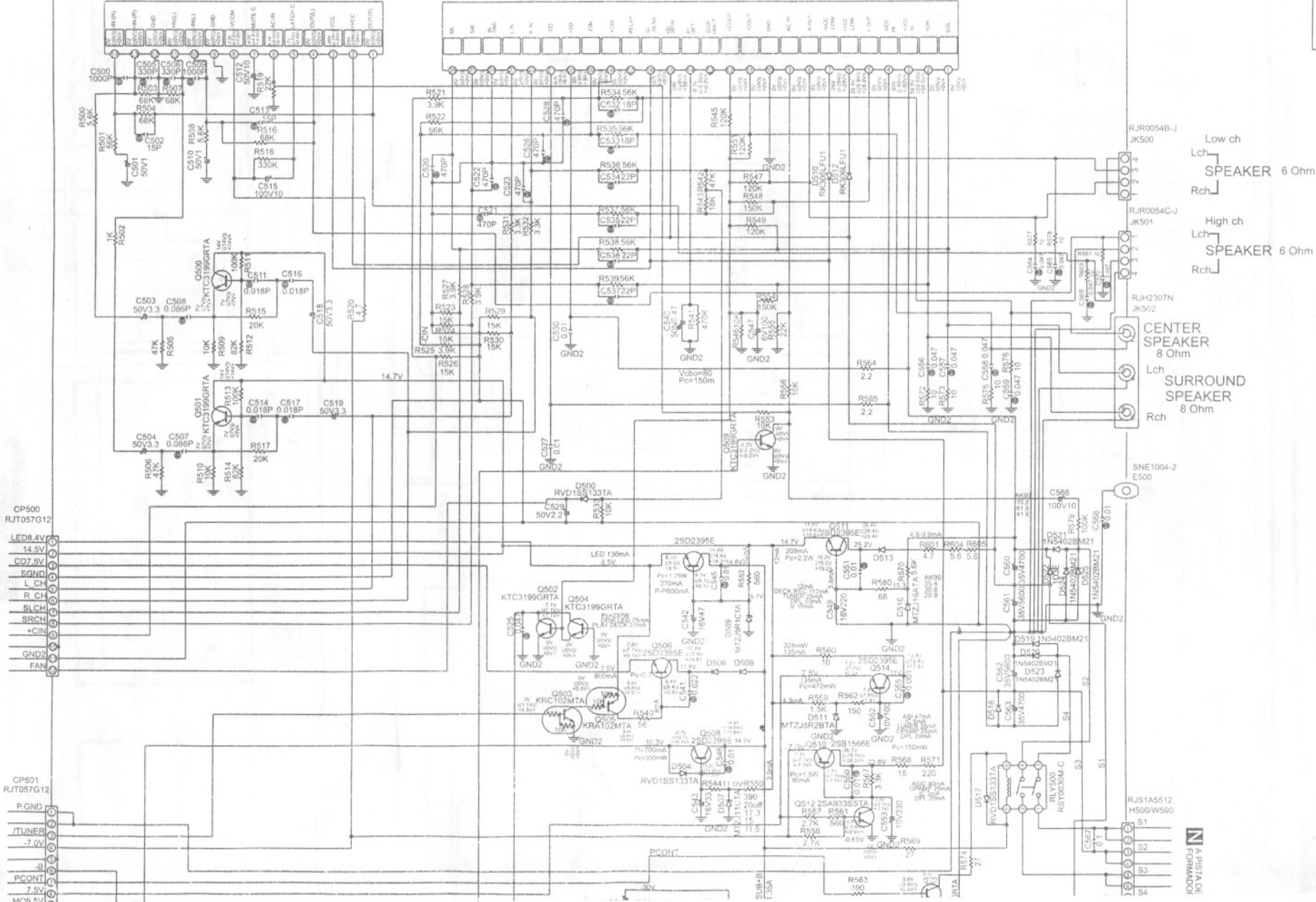
F PISTA DE TACT SW
CD (RAIM009953A)



E A PISTA DE TACT SWITCH
DE CINTA H600A

RSN3502B IC500

RSN311W64A-P IC501



Low ch
Lch
Rch
SPEAKER 6 Ohm

High ch
Lch
Rch
SPEAKER 6 Ohm

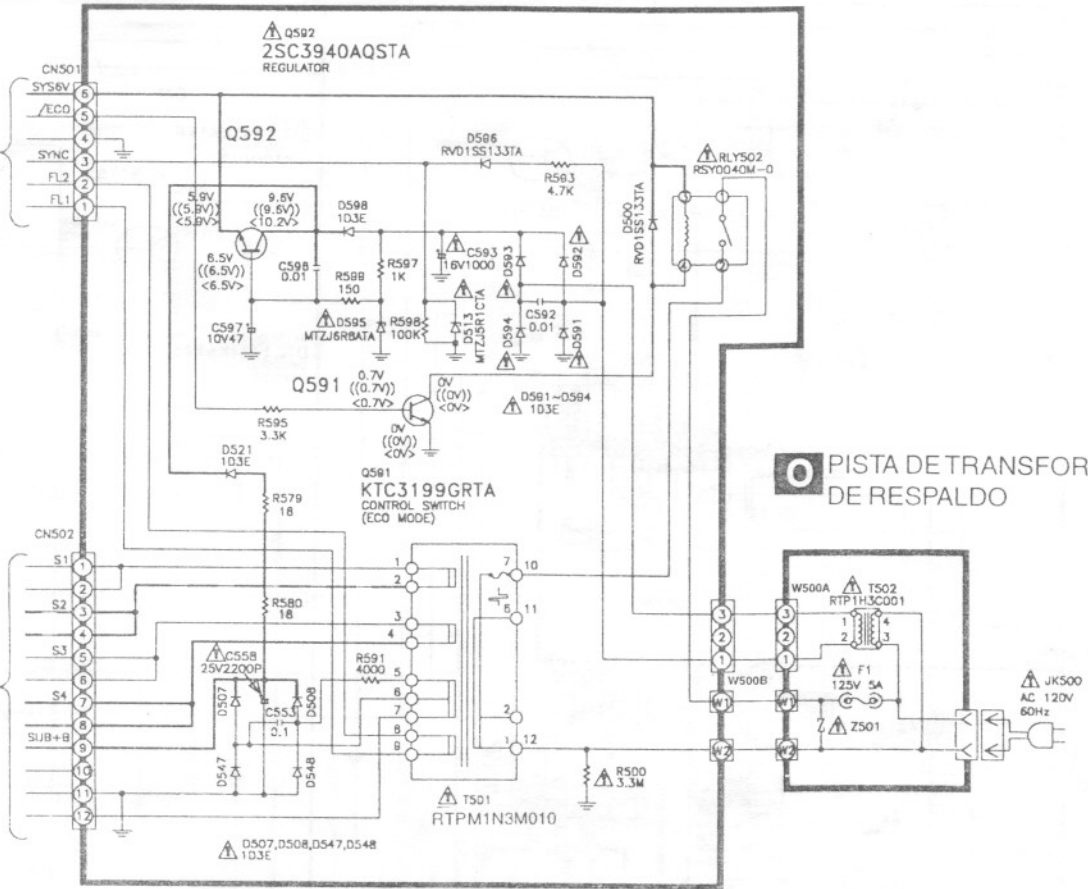
CENTER
SPEAKER
8 Ohm

Lch
Rch
SURROUND
SPEAKER
8 Ohm

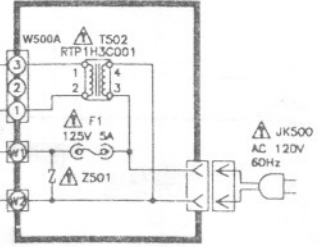
N PISTA DE TRANSFORMADOR SA-HM995 (RAIM008950A) ⇨ : Main Signal Line

E A PISTA PANEL H603A PAG. 45

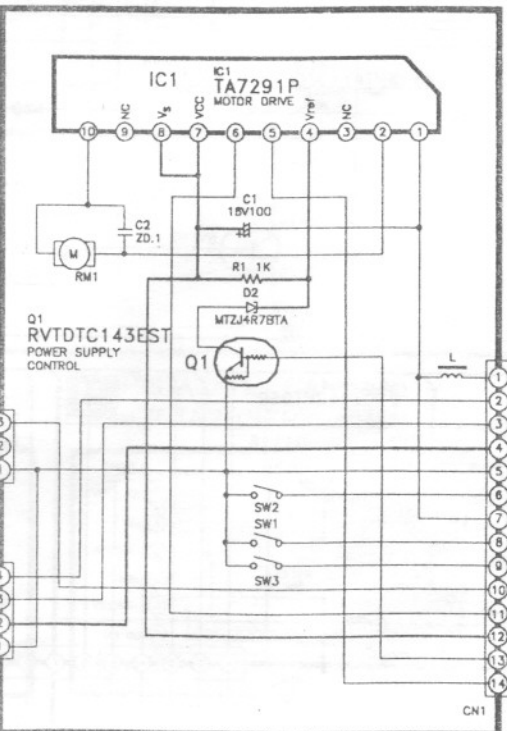
M A PISTA PODER H500 PAG. 50



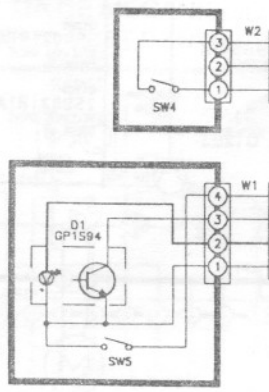
O PISTA DE TRANSFORMADOR DE RESPALDO



P PISTA DE MOTOR DE CD REP2578A-N

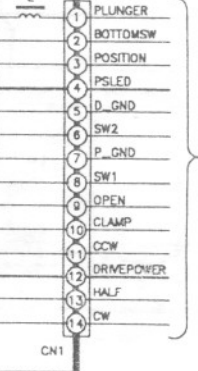


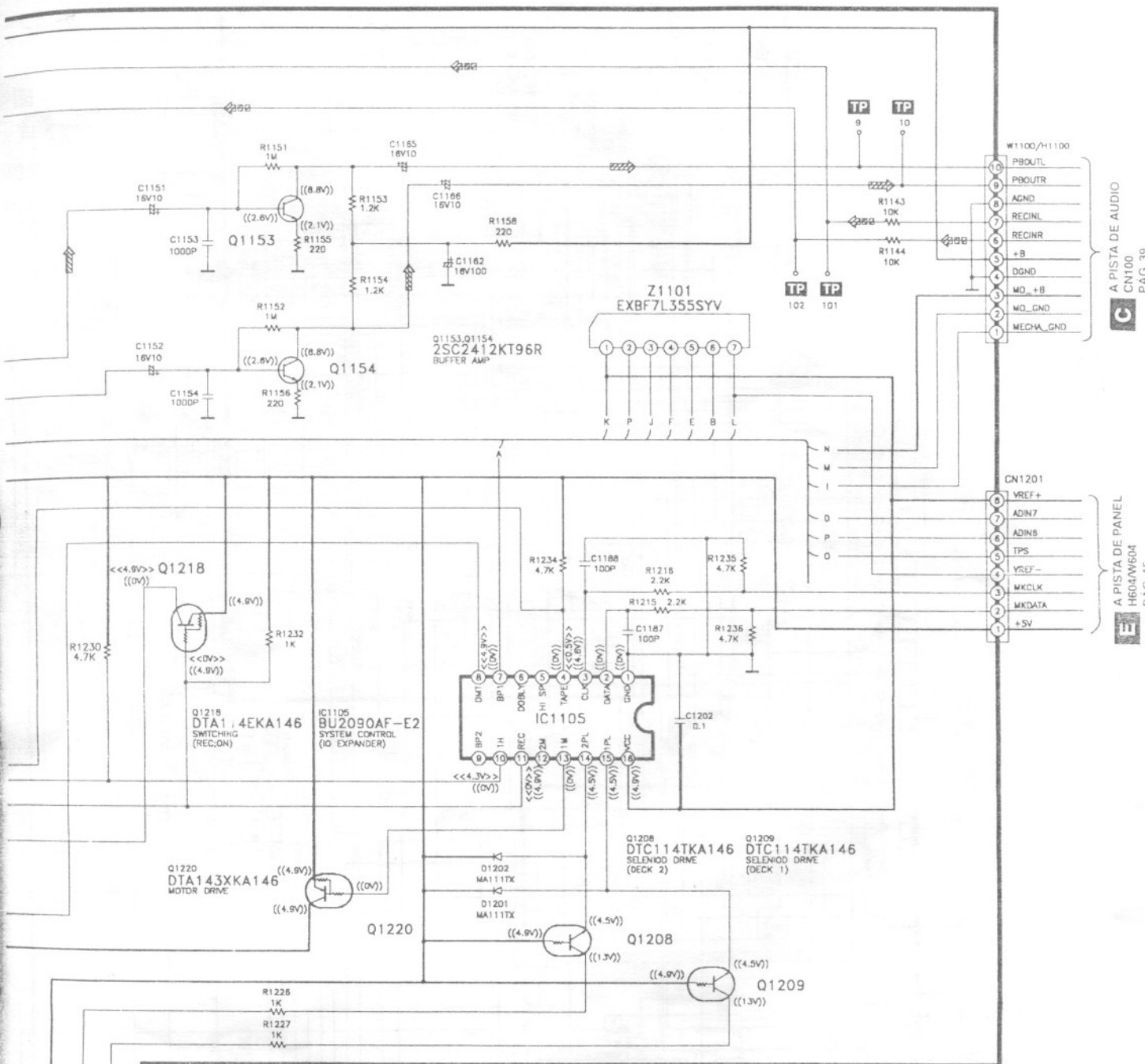
R PISTA DETECTORA DE CD



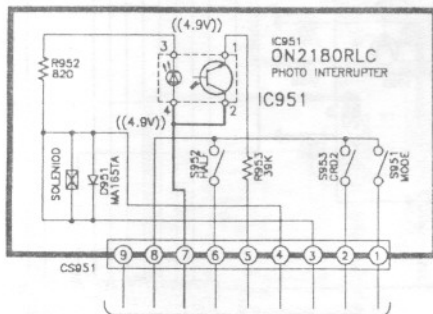
C A PISTA DE CN1 PAG. 39

Q PISTA DETECTORA DE CHAROLA REP2578A-N



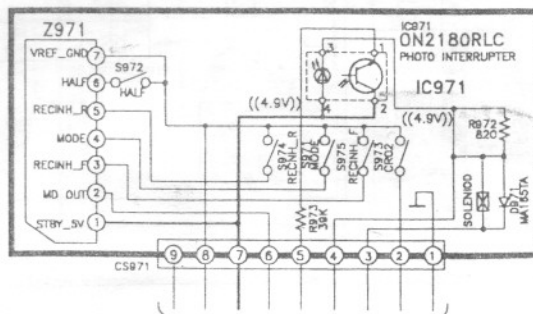


K PISTA DE MECANISMO (CINTA 1) (REPX108A)



J A PISTA DE MECANISMO DE CINTA CP1101 PAG. 48

L PISTA DE MECANISMO (CINTA 2) (REPX0108)



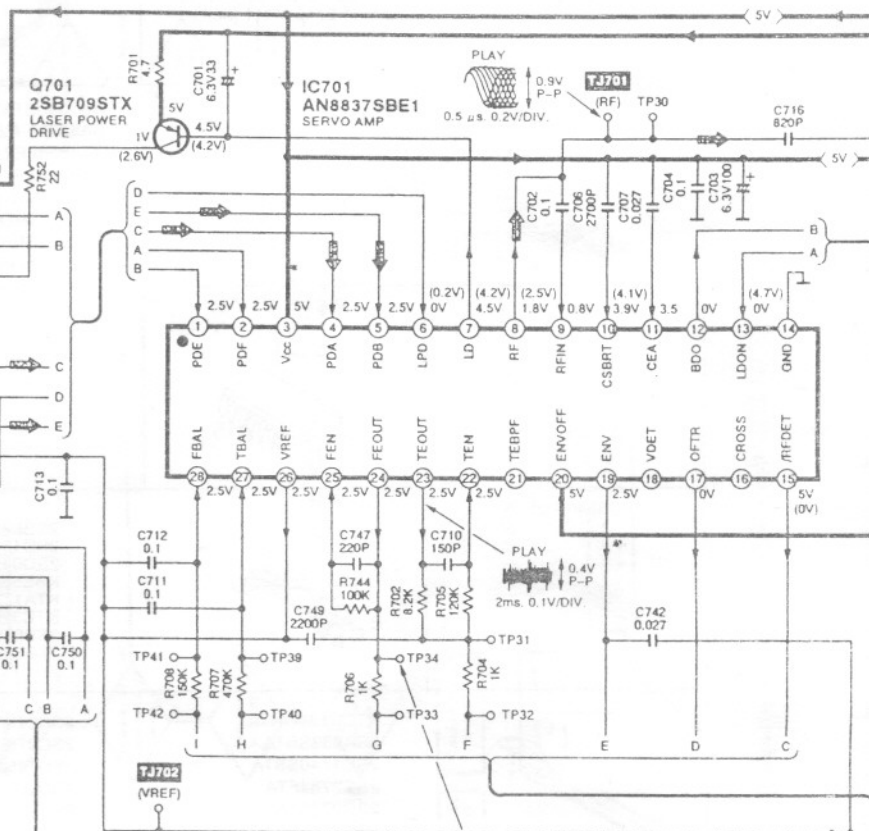
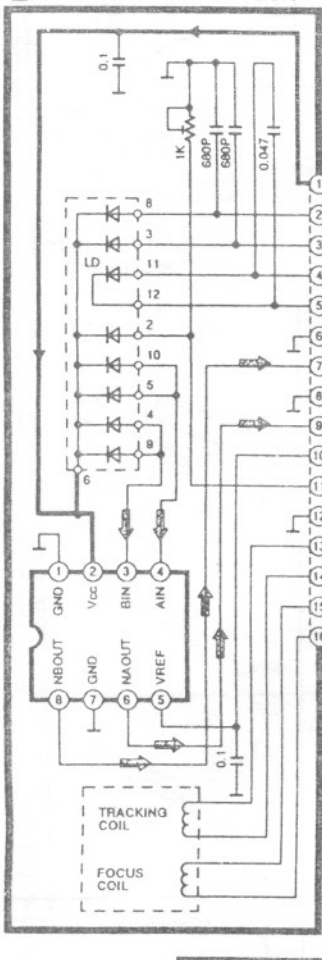
J A PISTA DE MECANISMO DE CINTA CP1102 PAG. 47

+B line

CD signal line

A PISTA SERVO (REPX0144)

OPTICAL PICKUP CIRCUIT



M702 SPINDLE MOTOR

M701 TRAVERSE MOTOR

IC703 AN8780NSBE2 FOCUS COIL/ TRACKING COIL/ TRAVERSE MOTOR/ SPINDLE MOTOR DRIVE

